

AP-220-MNT-C1

Installation Guide

The AP-220-MNT-C1 ceiling rail adapter kit includes the following items:

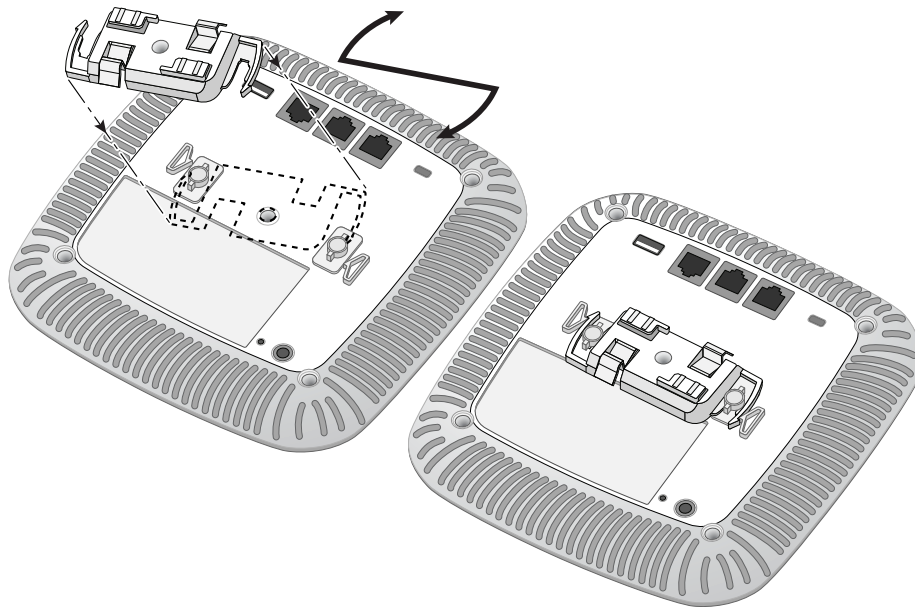
- 9/16" Ceiling Rail Adapter
- 15/16" Ceiling Rail Adapter

For complete information about selecting the location and setting up the AP, see the *Access Point Installation Guide*.

Installation

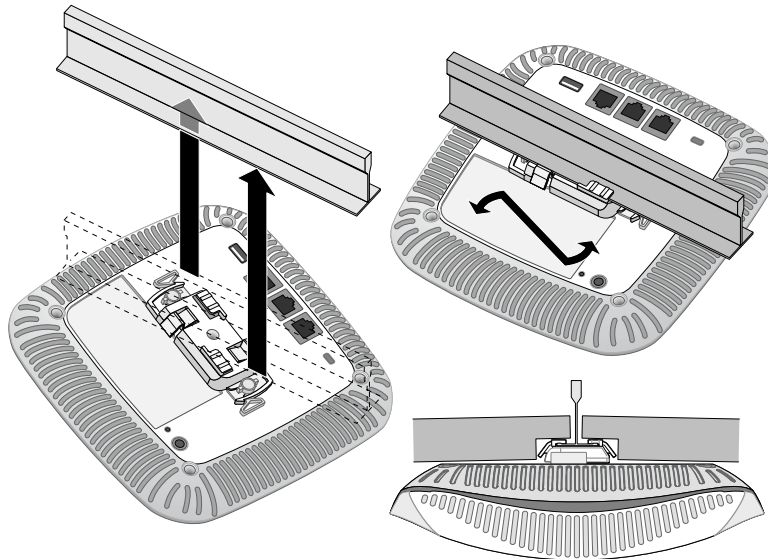
1. Pull the necessary cables through a prepared hole in the ceiling tile near where the AP will be placed.
2. Place the adapter against the back of the AP with the adapter at an angle of approximately 30 degrees to the tabs (see [Figure 1](#)).
3. Twist the adapter clockwise until it snaps into place in the tabs (see [Figure 1](#)).

Figure 1 Attaching the Ceiling Rail Adapter



4. If necessary, connect the console cable to the console port on the back of the AP.
5. Hold the AP next to the ceiling tile rail with the ceiling tile rail mounting slots at approximately a 30-degree angle to the ceiling tile rail (see [Figure 2](#)). Make sure that any cable slack is above the ceiling tile.
6. Pushing toward the ceiling tile, rotate the AP clockwise until the device clicks into place on the ceiling tile rail.

Figure 2 *Mounting the AP*



7. On APs that use external antennas, install the external antennas according to the manufacturer's instructions on the antenna interfaces of the AP.



0511562-01